

DESCRIPTION:

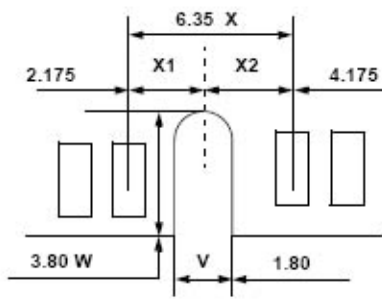
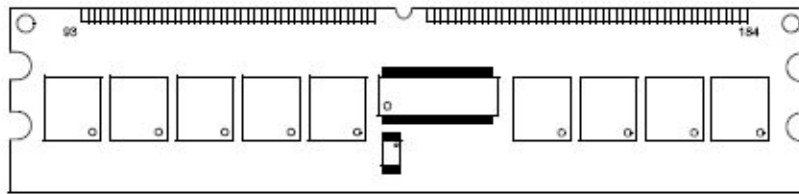
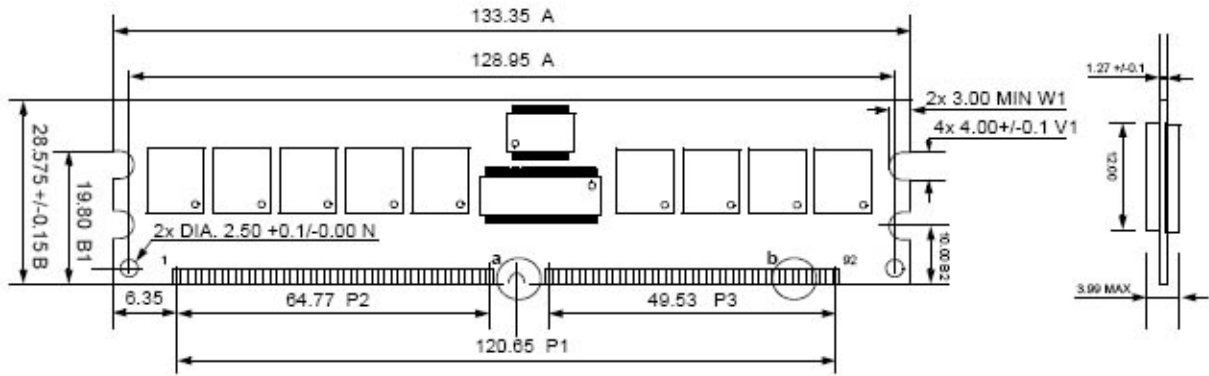
This document describes Aplus 128M x 72-bit 1GB DDR333 CL2.5 SDRAM (Synchronous DRAM) Registered ECC memory module. The components on this module include eighteen 128M x 4-bit (4 Bank) DDR333 SDRAM in FBGA packages. This 184-pin DIMM uses gold contact fingers and requires +2.5V. The electrical and mechanical specifications are as follows:

FEATURES:

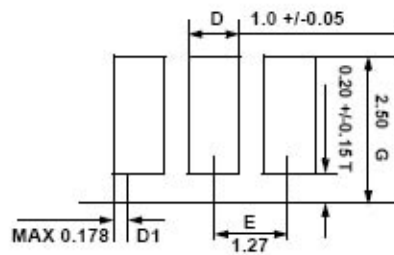
- Power supply: V_{dd}: 2.5V ± 0.2V, V_{ddq}: 2.5V ± 0.2V
- All inputs and outputs SSTL_2 compatible
- Max clock Freq: 166Mhz
- Double-data-rate architecture; two data transfers per clock cycle
- Error check correction (ECC) capability
- Bidirectional data strobe (DQS)
- Differential clock inputs (CK and CK)
- DLL aligns DQ and DQS transition with CK transition
- Programmable Read latency 2.5 (clock)
- Programmable Burst length (2,4,8)
- Programmable Burst type (sequential & interleave)
- Timing Reference: CL-tRCD-tRP (2.5-3-3)
- Edge aligned data output, center aligned data input
- Auto & Self refresh, 7.8us refresh interval (8K/64ms refresh)
- Serial presence detect with EEPROM

PERFORMANCE:

Clock Cycle Time (tCK)	6ns (min.) /12ns (max.)
Row Cycle Time (tRC)	60ns (min.)
Refresh Row Cycle Time (tRFC)	72ns (min.)
Row Active Time (tRAS)	42ns (min.) /70,000ns (max.)
Operating Temperature	0°C to 70 °C
Storage Temperature	-55 °C to +150 °C



Detail A



Detail B